



Customer Name	Date
Project Name	
Catalog Number	

# Aquas Series

2, 3, 4, 6

The Aquas series by FORUM is a line of extruded aluminum rectilinear luminaires approved for wet location, allowing for design consistency throughout wet and dry locations. Aquas features standard aperture sizes of 2, 3, 4, and 6". Multiple mounting configurations are available including rigid stem, surface as well as wall mounted. Aquas is available in Black, White, Silver and custom colors and features a premium design, fit and finish. Current's patented TriGain® phosphor delivers 90 CRI color quality at 80 CRI efficacy.

## Ordering



DISTRIBUTION	PROFILE	OUTPUT		SHIELDING	MOUNTING	LENGTH	VOLTAGE	FINISH	OPTION 1	OPTION 2	OPTION 3
<b>AQD</b> Direct	<b>32</b> 2 3/8" width 3 3/4" height	<b>65</b> 650 lm/ft	<b>27</b> 2700k temp	<b>SAT</b> Satin Lens	<b>H</b> Stem Mount *	<b>2</b> 2'	<b>120V</b>	<b>WH</b> White	<b>F</b> Fusing	<b>EMLED</b> LED battery pk	
<b>AQU</b> Indirect	<b>42</b> 2 3/8" width 4 3/4" height	<b>65</b> 6.5 input watts/ft*	<b>93.5%</b> Special order option	<b>WOL</b> White Opal Lens*	<b>S</b> Surface Mount	<b>3</b> 3'	<b>277V</b>	<b>SV</b> Silver	<b>90 CRI</b> 90 CRI	<b>SW</b> Separate Switch	
<b>AQUD</b> Direct/Indirect	<b>62</b> 2 3/8" width 6 3/4" height	<b>95</b> 950 lm/ft	<b>30</b> 3000k temp	<b>CFA</b> Clear Frosted Acrylic**	<b>W</b> Wall Bracket Mount	<b>4</b> 4'	<b>UNV</b> Universal	<b>BK</b> Black	<b>EC</b> Emergency Circuit		
	<b>62</b> 2 3/8" width 6 3/4" height	<b>9.5</b> 9.5 input watts/ft*	<b>95.2%</b>	* Direct Only ** Indirect Only	* Spec. stem length:	<b>5</b> 5'	<b>CC</b> Custom Color  Provide custom color RAL#:	<b>DIMMING OPTIONS (CHOOSE 1)</b>			
	<b>33</b> 2 15/16" width 3 3/4" height	* Assumes 4000k w/ satin lens	<b>35</b> 3500k temp			<b>6</b> 6'		<b>D10V</b> 0-10V dimming 1% power class	<b>DLA2</b> Lutron Hi-Lume 1% 2-wire LED driver (120V forward phase only)		
	<b>43</b> 2 15/16" width 4 3/4" height	Lumen Multiplier = % of 4000K Consult factory for limitations	<b>40</b> 4000k temp	<b>7</b> 7'	<b>DLEH5</b> Lutron Hi-Lume 1%-H EcoSystem LED driver with soft-On, Fade-to-Black	<b>DALI</b> Digitally Addressable Lighting Interface					
	<b>63</b> 2 15/16" width 6 3/4" height		<b>50</b> 5000k temp	<b>8</b> 8'	<b>DIM</b> Dimming: Please specify dimming manufacturer/model (if required)						
	<b>34</b> 4 1/2" width 3 3/4" height		Custom Output		Standard run length in even foot increments.  Individual units cannot be joined in field to create runs.	<b>CONTROLS OPTIONS (CHOOSE 1)</b>					
	<b>44</b> 4 1/2" width 4 3/4" height	<b>LED</b> Im/ft CCT		<b>ODL</b> Wattstopper occupancy and dimming, 8-15' AFF		<b>ODM</b> Wattstopper occupancy and dimming, 15-30' AFF					
	<b>64</b> 4 1/2" width 6 3/4" height	<b>32, 42, 62</b> : 430-1350 lm/ft <b>33, 43, 63</b> : 430-1510 lm/ft <b>34, 44, 64</b> : 460-1610 lm/ft <b>36, 46, 66</b> : 490-1710 lm/ft		<b>LLIL</b> Lutron-Limelight wireless, internal, 8-15ft AFF		<b>LLIM</b> Lutron-Limelight wireless, internal, >15-30ft AFF					
	<b>36</b> 6" width 3 3/4" height			<b>LLIH</b> Lutron-Limelight wireless, internal, >30-40ft AFF		<b>LLXL</b> Lutron-Limelight wireless, external, 8-15ft AFF					
	<b>46</b> 6" width 4 3/4" height			<b>LLXM</b> Lutron-Limelight wireless, external, >15-30ft AFF		<b>LLXH</b> Lutron-Limelight wireless, external, >30-40ft AFF					
	<b>66</b> 6" width 6 3/4" height										

- 1 60 option available with 40 Fixture Length only
- 2 90 option available with 60 Fixture Length only
- 3 A2 option available with 80 Fixture Length only

- 4 10ft aircraft cables with grippers and hourglass sleeves pre-installed. Canopy kits ordered separately
- 5 G2 option available with 60 Fixture Length and 90 Lumen Output options only

- 6 10ft Power cord included. 300V 18AWG, 5-Conductor wire
- 7 Power cord not required for G2 mounting option

## CONTROLS & SENSORS

Ordering Code	Description
ODL	Wattstopper occupancy and dimming, 8-15' AFF
ODM	Wattstopper occupancy and dimming, 15-30' AFF
LLIL	Luton-Limelight wireless, internal. 8-15ft AFF
LLIM	Luton-Limelight wireless, internal. >15-30ft AFF
LLIH	Luton-Limelight wireless, internal. >30-40ft AFF
LLXL	Luton-Limelight wireless, external. 8-15ft AFF
LLXM	Luton-Limelight wireless, external. >15-30ft AFF
LLXH	Luton-Limelight wireless, external. >30-40ft AFF

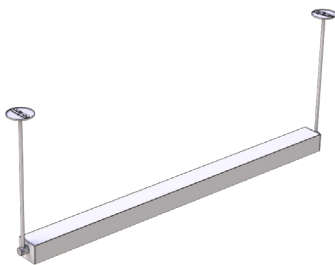
## DIMMING OPTIONS

Ordering Code	Description
D10V	0-10V Dimming, 1% power class
DLA2	Lutron Hi-lume 1% 2-1ire LED driver (120V forward phase only)
DLEH5	Lutron Hi-lume 1% H EcoSystem LED driver with soft-On, Fade-to-Black
DALI	Digitally Addressable Lighting Interface
DIM	Custom Dimming. Please specify dimming manufacturer/model

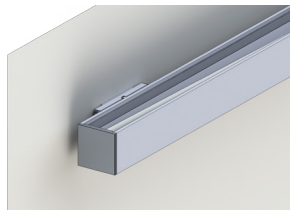
## LUMEN MULTIPLICATION TABLE

CCT	80 CRI
3000K	0.98
3500K	1
4000K	1.03

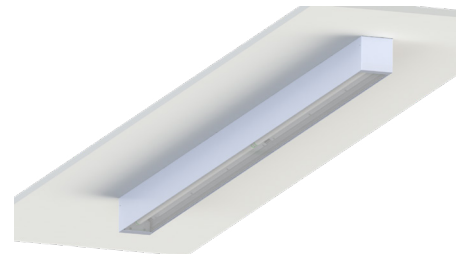
## MOUNTING



**H**  
Stem Mount



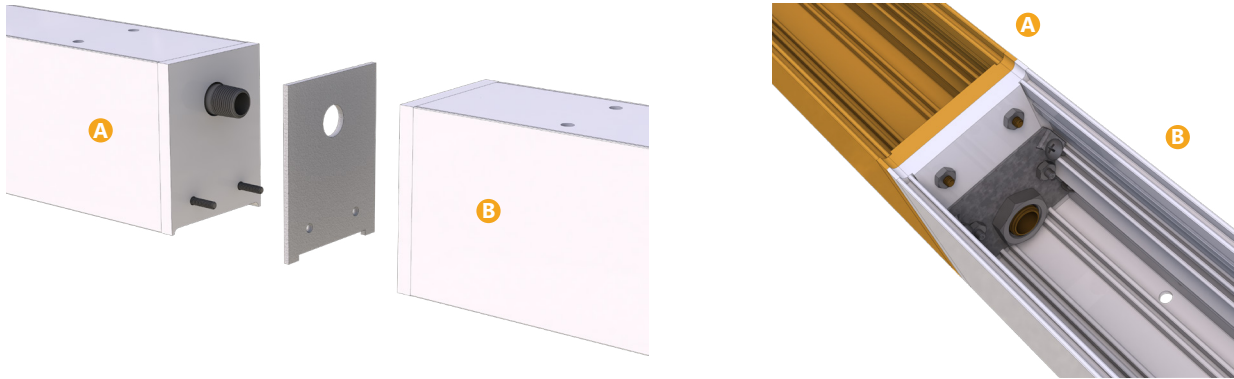
**W**  
Wall Bracket Mount



**S**  
Surface Mount  
(available in AQD only)

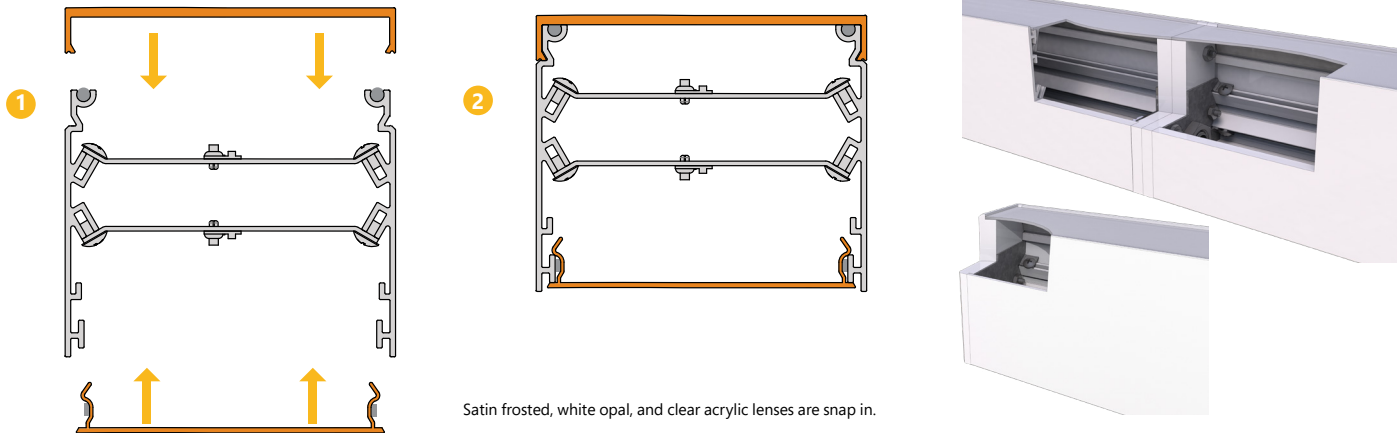
## Components and Assembly

### JOINING HARDWARE



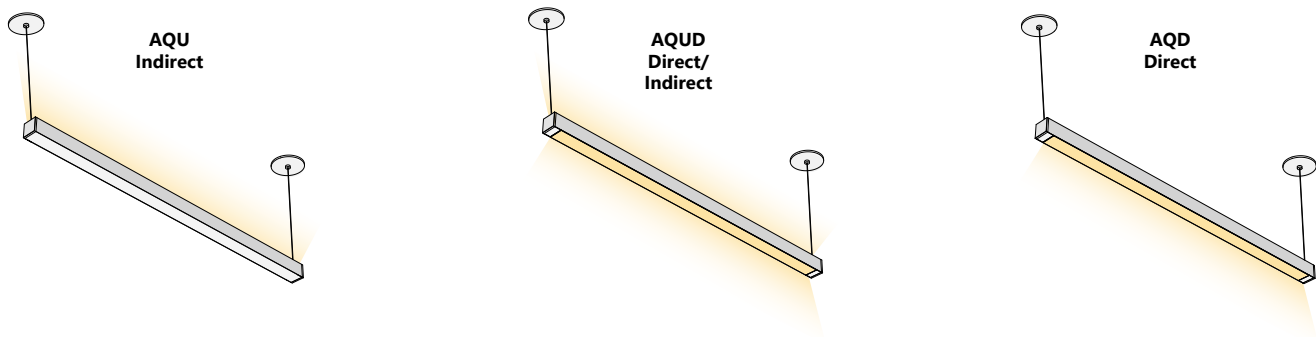
## Shielding Options

### LENS DETAIL



## Distribution Options

### DISTRIBUTION DETAIL





## Drawings

	AQUAS2 2"W	AQUAS3 3"W	AQUAS4 4"W	AQUAS6 6"W
3"H	<p>Profile: 32 Options: AQD, AQU, AQUD</p>	<p>Profile: 33 Options: AQD, AQU, AQUD</p>	<p>Profile: 34 Options: AQD, AQU, AQUD</p>	<p>Profile: 36 Options: AQD, AQU, AQUD</p>
4"H	<p>Profile: 42 Options: AQD, AQU, AQUD</p>	<p>Profile: 43 Options: AQD, AQU, AQUD</p>	<p>Profile: 44 Options: AQD, AQU, AQUD</p>	<p>Profile: 46 Options: AQD, AQU, AQUD</p>
6"H	<p>Profile: 62 Options: AQD, AQU, AQUD</p>	<p>Profile: 63 Options: AQD, AQU, AQUD</p>	<p>Profile: 64 Options: AQD, AQU, AQUD</p>	<p>Profile: 65 Options: AQD, AQU, AQUD</p>

KEY	
AQD - DIRECT	AQUD - DIRECT/INDIRECT
AQU - INDIRECT	

\* Consult factory for asymmetric configuration



Customer Name	Date
Project Name	
Catalog Number	

## Performance Data Tables

The tables below shows the delivered lumens for the various lumen outputs. Use this chart in connection with the output multiplier capability to deliver any output required

### 2IN AQUAS

**AQD-X2: 2in PWS - DIRECT ONLY (3500K, SAT)**

32	42	62	Distribution/Output	Lumens/Ft	W/Ft	Efficacy
			D035	350	4.1	86
			D040	400	4.6	87
			D045	450	5.1	88
			D050	500	5.6	90
			D055	550	6.1	91
			D060	600	6.5	92
			D065	650	7.2	91
			D070	700	7.8	90
			D075	750	8.3	90
			D080	800	8.9	90
			D085	850	9.6	89
			D090	900	10.3	87
			D095	950	11.0	87
			D100	1000	11.6	86
			D105	1050	12.4	85
			D110	1100	13.2	84
			D115 (Max)	1150	14.0	82

**AQU-X2: 2in PWS - INDIRECT ONLY (3500K, CFA)**

32	42	62	Distribution/Output	Lumens/Ft	W/Ft	Efficacy
			I040	400	3.6	111
			I045	450	3.9	114
			I050	500	4.4	113
			I055	550	4.8	116
			I060	600	5.2	116
			I065	650	5.6	116
			I070	700	5.9	118
			I075	750	6.4	118
			I080	800	6.8	118
			I085	850	7.3	117
			I090	900	7.7	117
			I095	950	8.1	117
			I100	1000	8.6	116
			I105	1050	9.1	115
			I110	1100	9.6	115
			I115	1150	10.0	115
			I120	1200	10.6	113
			I125	1250	11.2	112
			I130	1300	11.6	112
			I135	1350	12.1	112
			I140	1400	12.7	111
			I145	1450	13.1	111
			I150 (Max)	1500	13.7	110

**AQUD-X2: 2in PWS - DIRECT / INDIRECT ONLY (3500K, SAT/CFA)**

32	42	62	Distribution/Output	Lumens/Ft	W/Ft	Efficacy
			D035	350	4.1	86
			D040	400	4.6	87
			D045	450	5.1	88
			D050	500	5.6	90
			D055	550	6.1	91
			D060	600	6.5	92
			D065	650	7.2	91
			D070	700	7.8	90
			D075	750	8.3	90
			D080	800	8.9	90
			D085	850	9.6	89
			D090	900	10.3	87
			D095	950	11.0	87
			D100	1000	11.6	86
			D105	1050	12.4	85
			D110	1100	13.2	84
			D115 (Max)	1150	14.0	82
			I040	400	3.6	111
			I045	450	3.9	114
			I050	500	4.4	113
			I055	550	4.8	116
			I060	600	5.2	116
			I065	650	5.6	116
			I070	700	5.9	118
			I075	750	6.4	118
			I080	800	6.8	118
			I085	850	7.3	117
			I090	900	7.7	117
			I095	950	8.1	117
			I100	1000	8.6	116
			I105	1050	9.1	115
			I110	1100	9.6	115
			I115	1150	10.0	115
			I120	1200	10.6	113
			I125	1250	11.2	112
			I130	1300	11.6	112
			I135	1350	12.1	112
			I140	1400	12.7	111
			I145	1450	13.1	111
			I150	1500	13.7	110



Customer Name	Date
Project Name	
Catalog Number	

## Performance Data Tables - (Continued)

The tables below shows the delivered lumens for the various lumen outputs. Use this chart in connection with the output multiplier capability to deliver any output required

### 3IN AQUAS

**AQD-X3: 3in PWS - DIRECT ONLY (3500K, SAT)**

33	43	63	Distribution/Output	Lumens/Ft	W/Ft	Efficacy
			D035	350	3.9	89
			D040	400	4.4	90
			D045	450	4.9	91
			D050	500	5.4	92
			D055	550	6.0	92
			D060	600	6.5	93
			D065	650	7.1	92
			D070	700	7.7	90
			D075	750	8.3	91
			D080	800	8.9	90
			D085	850	9.6	89
			D090	900	10.4	87
			D095	950	11.0	86
			D100	1000	11.7	86
			D105	1050	12.5	84
			D110	1100	13.3	83
			D115	1150	14.1	82
			D120	1200	14.9	80

**AQU-X3: 3in PWS - INDIRECT ONLY (3500K, CFA)**

33	43	63	Distribution/Output	Lumens/Ft	W/Ft	Efficacy
			I040	400	3.6	111
			I045	450	4.0	114
			I050	500	4.4	113
			I055	550	4.8	115
			I060	600	5.2	115
			I065	650	5.7	114
			I070	700	6.0	116
			I075	750	6.5	115
			I080	800	6.9	115
			I085	850	7.4	115
			I090	900	7.9	114
			I095	950	8.3	114
			I100	1000	8.8	114
			I105	1050	9.3	113
			I110	1100	9.7	113
			I115	1150	10.2	112
			I120	1200	10.6	113
			I125	1250	11.2	111
			I130	1300	11.7	111
			I135	1350	12.2	111
			I140	1400	12.7	110
			I145	1450	13.2	110
			I150	1500	13.8	109

**AQUD-X3: 3in PWS - DIRECT / INDIRECT ONLY (3500K, SAT/CFA)**

33	43	63	Distribution/Output	Lumens/Ft	W/Ft	Efficacy
			D035	350	3.9	89
			D040	400	4.4	90
			D045	450	4.9	91
			D050	500	5.4	92
			D055	550	6.0	92
			D060	600	6.5	93
			D065	650	7.1	92
			D070	700	7.7	90
			D075	750	8.3	91
			D080	800	8.9	90
			D085	850	9.6	89
			D090	900	10.4	87
			D095	950	11.0	86
			D100	1000	11.7	86
			D105	1050	12.5	84
			D110	1100	13.3	83
			D115	1150	14.1	82
			D120	1200	14.9	80
			I040	400	3.6	111
			I045	450	4.0	114
			I050	500	4.4	113
			I055	550	4.8	115
			I060	600	5.2	115
			I065	650	5.7	114
			I070	700	6.0	116
			I075	750	6.5	115
			I080	800	6.9	115
			I085	850	7.4	115
			I090	900	7.9	114
			I095	950	8.3	114
			I100	1000	8.8	114
			I105	1050	9.3	113
			I110	1100	9.7	113
			I115	1150	10.2	112
			I120	1200	10.6	113
			I125	1250	11.2	111
			I130	1300	11.7	111
			I135	1350	12.2	111
			I140	1400	12.7	110
			I145	1450	13.2	110
			I150	1500	13.8	109



Customer Name	Date
Project Name	
Catalog Number	

## Performance Data Tables - (Continued)

The tables below shows the delivered lumens for the various lumen outputs. Use this chart in connection with the output multiplier capability to deliver any output required

### 4IN AQUAS

**AQD-X4: 4in PWS - DIRECT ONLY (3500K, SAT)**

34	44	64	Distribution/Output	Lumens/Ft	W/Ft	Efficacy
			D035	350	3.3	106
			D040	400	3.7	108
			D045	450	4.1	110
			D050	500	4.5	111
			D055	550	4.9	112
			D060	600	5.3	113
			D065	650	5.8	112
			D070	700	6.3	111
			D075	750	6.7	112
			D080	800	7.2	111
			D085	850	7.7	110
			D090	900	8.3	108
			D095	950	8.8	108
			D100	1000	9.3	108
			D105	1050	9.9	106
			D110	1100	10.5	105
			D115	1150	11.1	104
			D120	1200	11.7	103
			D125	1250	12.3	102
			D130	1300	13.0	100
			D135	1350	13.6	99

**AQU-X4: 4in PWS - INDIRECT ONLY (3500K, CFA)**

34	44	64	Distribution/Output	Lumens/Ft	W/Ft	Efficacy
			I040	400	3.1	129
			I045	450	3.4	132
			I050	500	3.8	132
			I055	550	4.1	134
			I060	600	4.5	133
			I065	650	4.9	133
			I070	700	5.2	135
			I075	750	5.6	134
			I080	800	6.0	133
			I085	850	6.4	133
			I090	900	6.8	132
			I095	950	7.2	132
			I100	1000	7.6	132
			I105	1050	8.0	131
			I110	1100	8.4	131
			I115	1150	8.8	131
			I120	1200	9.2	130
			I125	1250	9.7	129
			I130	1300	10.1	129
			I135	1350	10.5	129
			I140	1400	11.0	127
			I145	1450	11.4	127
			I150	1500	11.9	126

**AQUD-X4: 4in PWS - DIRECT / INDIRECT ONLY (3500K, SAT/CFA)**

34	44	64	Distribution/Output	Lumens/Ft	W/Ft	Efficacy
			D035	350	3.3	106
			D040	400	3.7	108
			D045	450	4.1	110
			D050	500	4.5	111
			D055	550	4.9	112
			D060	600	5.3	113
			D065	650	5.8	112
			D070	700	6.3	111
			D075	750	6.7	112
			D080	800	7.2	111
			D085	850	7.7	110
			D090	900	8.3	108
			D095	950	8.8	108
			D100	1000	9.3	108
			D105	1050	9.9	106
			D110	1100	10.5	105
			D115	1150	11.1	104
			D120	1200	11.7	103
			D125	1250	12.3	102
			D130	1300	13.0	100
			D135	1350	13.6	99

			I040	400	3.1	129
			I045	450	3.4	132
			I050	500	3.8	132
			I055	550	4.1	134
			I060	600	4.5	133
			I065	650	4.9	133
			I070	700	5.2	135
			I075	750	5.6	134
			I080	800	6.0	133
			I085	850	6.4	133
			I090	900	6.8	132
			I095	950	7.2	132
			I100	1000	7.6	132
			I105	1050	8.0	131
			I110	1100	8.4	131
			I115	1150	8.8	131
			I120	1200	9.2	130
			I125	1250	9.7	129
			I130	1300	10.1	129
			I135	1350	10.5	129
			I140	1400	11.0	127
			I145	1450	11.4	127
			I150	1500	11.9	126

## Performance Data Tables - (Continued)

The tables below shows the delivered lumens for the various lumen outputs. Use this chart in connection with the output multiplier capability to deliver any output required

### 6IN AQUAS

**AQD-X6: 6in PWS - DIRECT ONLY (3500K, SAT)**

36	46	66	Distribution/Output	Lumens/Ft	W/Ft	Efficacy
			D035	350	3.4	102
			D040	400	3.8	104
			D045	450	4.3	106
			D050	500	4.7	106
			D055	550	5.1	107
			D060	600	5.6	108
			D065	650	6.1	107
			D070	700	6.7	104
			D075	750	7.1	106
			D080	800	7.6	105
			D085	850	8.2	104
			D090	900	8.9	101
			D095	950	9.4	101
			D100	1000	10.0	100
			D105	1050	10.7	98
			D110	1100	11.4	96
			D115	1150	12.1	95
			D120	1200	12.8	93
			D125	1250	13.6	92

**AQU-X6: 6in PWS - INDIRECT ONLY (3500K, CFA)**

36	46	66	Distribution/Output	Lumens/Ft	W/Ft	Efficacy
			I040	400	3.2	125
			I045	450	3.6	126
			I050	500	4.0	125
			I055	550	4.3	127
			I060	600	4.8	126
			I065	650	5.2	126
			I070	700	5.6	126
			I075	750	6.0	126
			I080	800	6.4	125
			I085	850	6.8	124
			I090	900	7.3	124
			I095	950	7.7	123
			I100	1000	8.1	123
			I105	1050	8.6	123
			I110	1100	9.0	122
			I115	1150	9.5	121
			I120	1200	9.9	121
			I125	1250	10.4	120
			I130	1300	10.9	119
			I135	1350	11.3	119
			I140	1400	11.8	118
			I145	1450	12.4	117
			I150	1500	12.9	116

**AQUD-X6: 6in PWS - DIRECT / INDIRECT ONLY (3500K, SAT/CFA)**

36	46	66	Distribution/Output	Lumens/Ft	W/Ft	Efficacy
			D035	350	3.3	106
			D040	400	3.7	108
			D045	450	4.1	110
			D050	500	4.5	111
			D055	550	4.9	112
			D060	600	5.3	113
			D065	650	5.8	112
			D070	700	6.3	111
			D075	750	6.7	112
			D080	800	7.2	111
			D085	850	7.7	110
			D090	900	8.3	108
			D095	950	8.8	108
			D100	1000	9.3	108
			D105	1050	9.9	106
			D110	1100	10.5	105
			D115	1150	11.1	104
			D120	1200	11.7	103
			D125	1250	12.3	102

			I040	400	3.1	129
			I045	450	3.4	132
			I050	500	3.8	132
			I055	550	4.1	134
			I060	600	4.5	133
			I065	650	4.9	133
			I070	700	5.2	135
			I075	750	5.6	134
			I080	800	6.0	133
			I085	850	6.4	133
			I090	900	6.8	132
			I095	950	7.2	132
			I100	1000	7.6	132
			I105	1050	8.0	131
			I110	1100	8.4	131
			I115	1150	8.8	131
			I120	1200	9.2	130
			I125	1250	9.7	129
			I130	1300	10.1	129
			I135	1350	10.5	129
			I140	1400	11.0	127
			I145	1450	11.4	127
			I150	1500	11.9	126

### OUTPUT MULTIPLIER TABLE

Photometrics and outputs published on this spec sheet are based on nominal 3500K temperature. This table may be used to approximate the lumen values at different Kelvin temperatures. Power consumption would stay the same.

CCT	80 CRI
3000K	0.98
3500K	1
4000K	1.03

Lens	Multiplier
SAT	1.00
WOL	0.84





# Aquas Series

2, 3, 4, 6

Customer Name	Date
Project Name	
Catalog Number	

## CONSTRUCTION

<b>Housing:</b>	Extruded aluminum, machined endcaps
<b>Lens:</b>	Satin, clear frosted, and white opal lenses.
<b>Optical Assembly:</b>	.040" aluminum in a pre-paint white finish. Fully wired unit remains completely accessible from below.
<b>Paint:</b>	Black, White, Silver, Custom Color

## OPTICAL SYSTEM

<b>Lumens:</b>	430-1710 lm/ft
<b>Distribution:</b>	Direct (AQD), Indirect (AQU), and Direct/Indirect (AQUD)
<b>Wattage:</b>	6.5 - 9.5 watts/ft
<b>CCT:</b>	2700k, 3000K, 3500K, 4000K, 5000K
<b>CRI (Min):</b>	TriGain® 90CRI

## ELECTRICAL

<b>Input Voltage:</b>	120V, 277V, Universal Voltage
<b>Input Frequency:</b>	50/60Hz

## CONTROLS

<b>Dimming:</b>	0-10V 1% power class; Lutron Hi-lume 1% 2-wire LED driver; Lutron Hi-lume 1%-H EcoSystem LED driver with soft-On Fade-to-Black; Lutron 5-Series EcoSystem LED driver; Digitally Addressable Lighting Interface; Custom Dimming
-----------------	--

## OPERATING TEMPERATURE

Product	Operating Temperature
<b>STD (Non-EM) Options</b>	-30-25°C (-22-77°F)
<b>2in w/Battery</b>	10-25°C (50-77°F)
<b>3/4/6in w/Battery</b>	0-25°C (32-77°F)

## LUMEN MAINTENANCE

- L70>50K Hours

## MOUNTING

- H - Stem Mount
- W - Wall Bracket Mount
- S - Surface Mount

## RATINGS

- Wet Rated

## DESIGN LIFE & WARRANTY

- **Warranty:**
  - LED boards - 5 years
  - LED drivers (standard) - 5 years
  - LED drivers (Lutron) - 3 years



For Product or Technical Questions:

E: INFO@FORUMLIGHTING.COM  
T: +1 412 781 5970